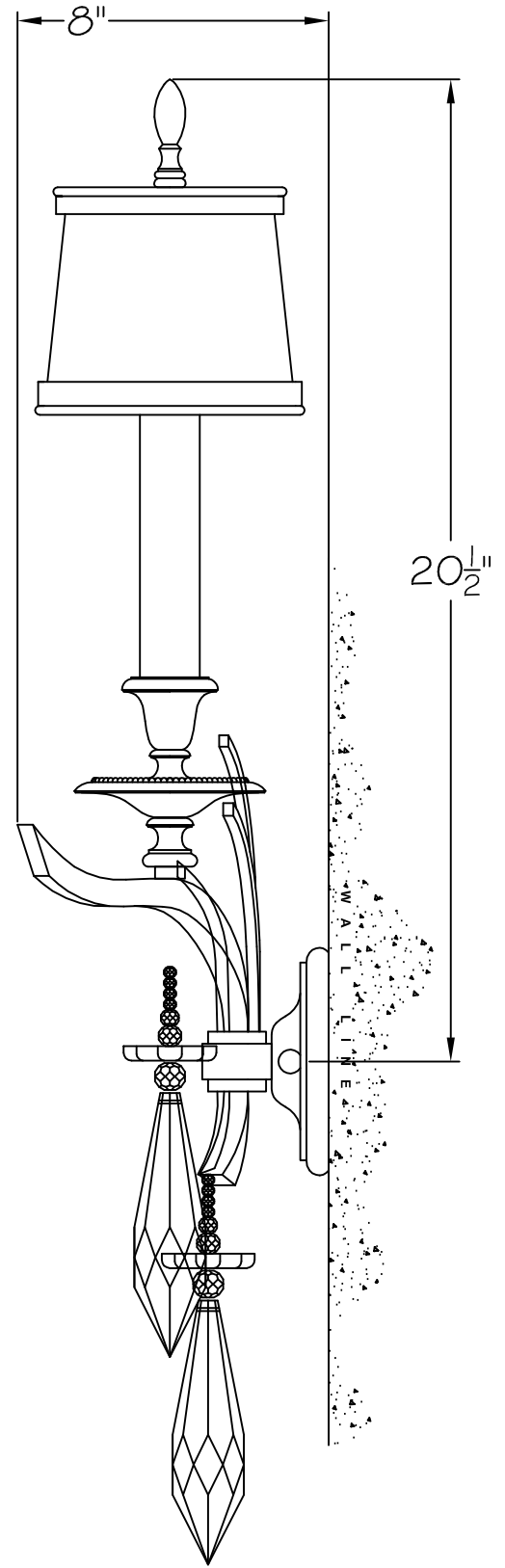
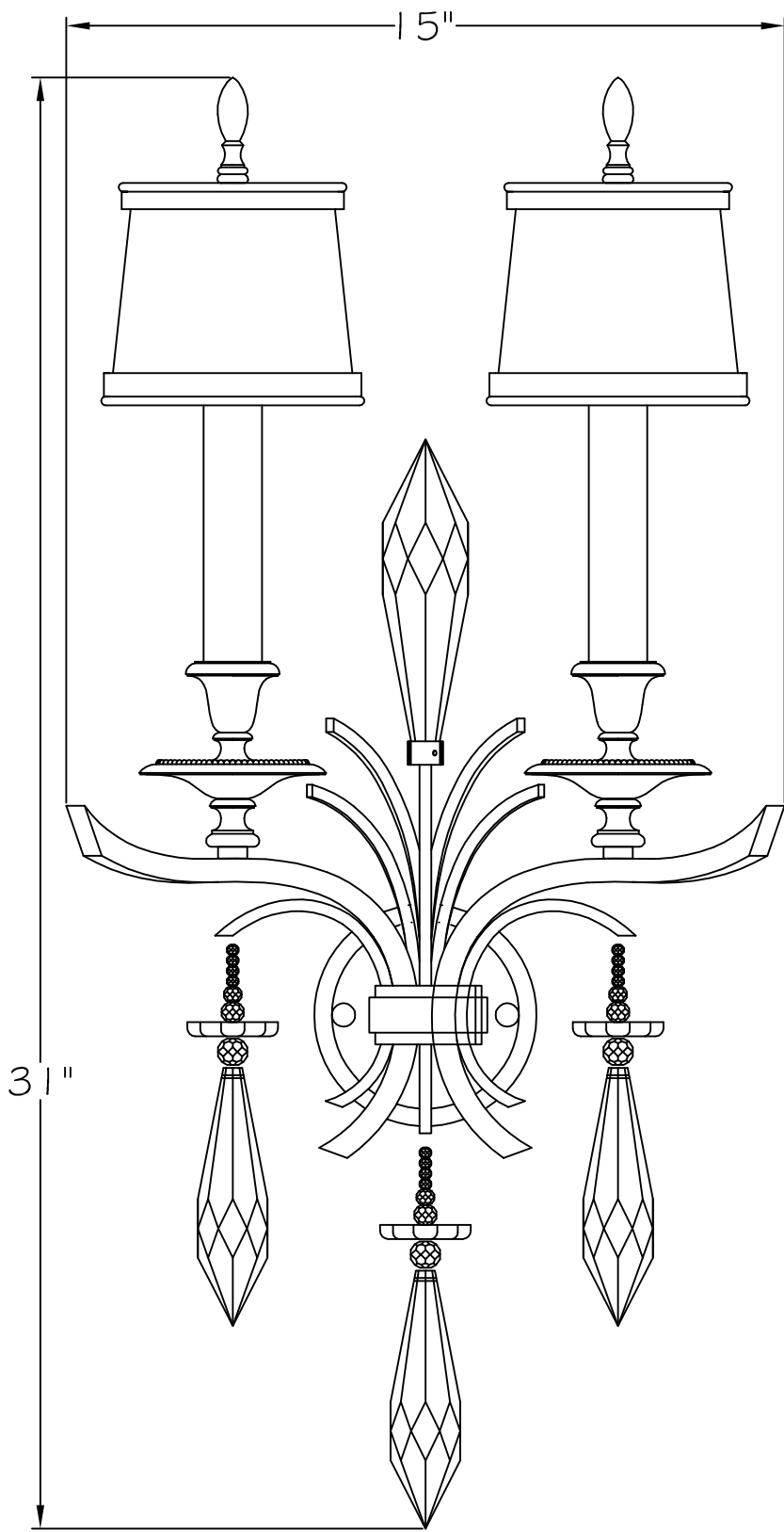


CUSTOMER REFERENCE INSTRUCTIONS

REV.	EON # IF APPLIC.	REVISION DESCRIPTION	REQD. BY	DRAFTER	DATE
1	NA	ORIGINAL RELEASED VERSION	NA	RB	02/20/07



Fine Art
L A M P S

This drawing and specifications are the exclusive property of BLUMBERG INDUSTRIES, INC. issued in strict confidence and shall not, without the prior written permission of BLUMBERG INDUSTRIES, INC., be produced, copied or used for any purpose whatsoever except the manufacture articles for FINE ART LAMPS.

5770-5772 Miami Lakes Dr. East / Miami Lakes, FL 33014
Ph: (305) 821-3850 FAX: (305) 821-1564

STYLE NUMBER: 567950ST

PART NUMBER:

ASSY. INSTRUCTION TEMPLATE	DRAFTER: RB	STYLE ENGINEER:	DATE: 02/20/07	REVISION: 1	SHEET: /
----------------------------	-------------	-----------------	----------------	-------------	----------