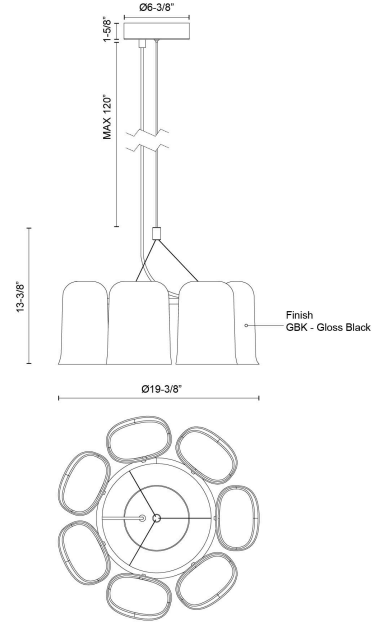


## Bell 20-in Chandelier

Model	Color Temperature	Wattage	Voltage	Total Lumens	Delivered Lumens	Dimmer Support (Optional, Not Included)
<b>CH21120-UNV</b> CH21120-GBK-UNV CH21120-VB-UNV	3000K	40W (CH21120-GBK-UNV) (CH21120-VB-UNV)	120-277V	2850lm	1360lm* (GBK) (VB)	TRIAC/ELV



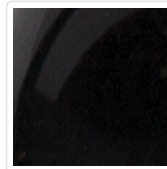
The Bell lighting collection by Branch Creative showcases distinctive bell-shaped shades. The design provides adjustable illumination, all elegantly arranged around a sleek central ring. With its modern minimal design, this fixture exudes warmth while maintaining a clean, contemporary aesthetic.



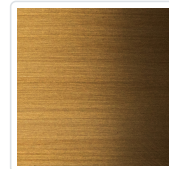
### SPECIFICATION DETAILS

Fixture Dimensions	D19-3/8" x H13-3/8"
Canopy Dimensions	D6-3/8" x H1-5/8"
Minimum Hang Height	18"
Location	Dry
Diffuser Details	Frosted PC Diffuser
Dimming Range	100% - 10%
Illumination Direction	Down
Light Source/Life	LED (50,000 hours) 90CRI
Material	Steel, Brass, PC
Paint Finish	GBK01
Slopped Ceiling Adaptable	Yes
Shade Details	Steel Shade
Wire Length	120"
Wire Style	Black Wire
Compliance	<b>ETL Certified:</b> Yes <b>CEC Title 24:</b> Yes

### FINISHES



Glossy Black  
(GBK)



Vintage Brass  
(VB)

\* For custom options, contact customer service.

\* For warranty information, please visit [www.kuzcolighting.com/warranty](http://www.kuzcolighting.com/warranty)

### WWW.KUZCOLIGHTING.COM

USA: 3035 E. LONE MOUNTAIN ROAD - LAS VEGAS, NV 89081

CANADA: 19054 28TH AVENUE - SURREY, BC V3Z 6M3